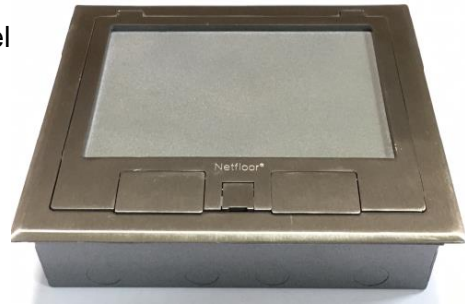


Service Box SS60EC Access Floor Opening Type

SS60EC floor box consists of polishing stainless steel mounting lid , frame and box base, 2 compartments.

**The System**

Overall Dimension: 250 mm X 220 mm

Height: 60 mm (access floor minimum finish height)

Mounting lid: polishing stainless steel tray, middle with recess 6.5 mm for topping.

Cable Exiting Flap Dimension: 30 mm X 50 mm

Box Base Tray Dimension: 230 mm X 200 mm

Box Knockouts Dimension for Each Side : 2 X 20 mm (3/4") and 2 X 26 mm (1")

Compartment Plate

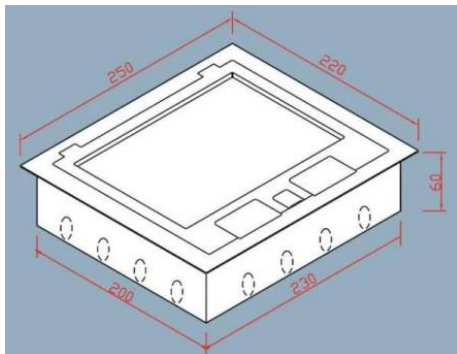
Power Socket:

- a. 2 X EC power socket plate. 16A, 250 V

Data Socket:

- a. 2 hole data socket plate

** Combination style and accessories per requirement



** access panel cut out: 232 mm X 202 mm

** carpet tile cut size for topping floor box: 186 mm X 129 mm

